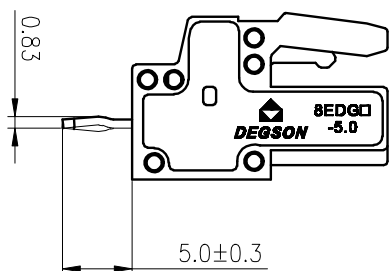
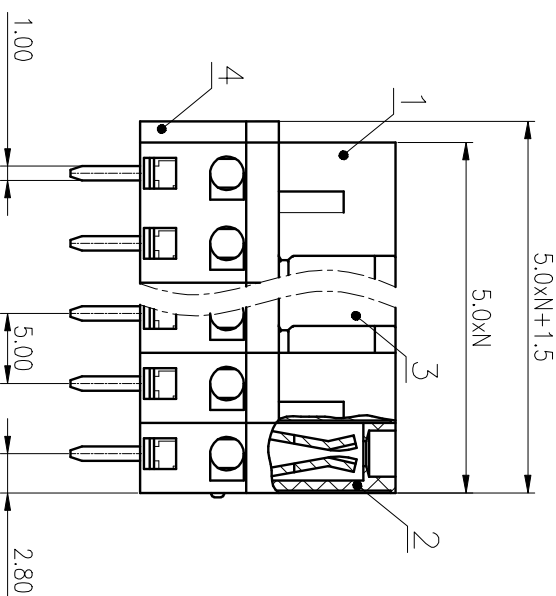
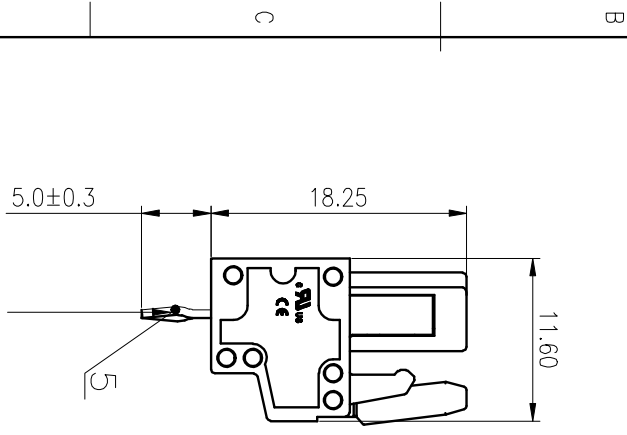
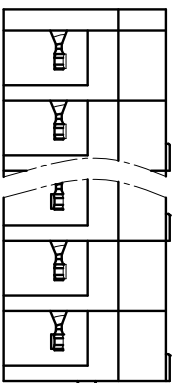


PCB LAYOUT

Bending the pin-header after assembling



The first pin will bulge to the left



REV	ECN	DESCRIPTION	DRAFT	DATE
1	2	3	4	5

MATERIAL:	/
MAT NO.:	/
STATUS:	/
APPD:	/
CHKD:	/
DRAFT:	WongY1 2020.06.19
DRAWING NO.:	8EDGB-5.0-C02
TYPE:	CUSTOMER DRAWING
SCALE:	2:1
SHEET	1/1

NAME:	8EDGB-5.0-XXP-11-01A(H)	
DRAWING NO.:	8EDGB-5.0-C02	REV
TYPE:	CUSTOMER DRAWING	T0
SCALE:	2:1	1/1

5	Clamp	Copper alloy	Sn plated
4	Cover	PA66	UL94V-0
3	Housing2	PA66	UL94V-0
2	Side housing	PA66	UL94V-0
1	Housing1	PA66	UL94V-0

ITEM	NAME OF PART	MATERIAL	NOTES
UL 标准 / UL Standard:	B	C	D
额定电压/电涌 / Rated Voltage(V)/Current(A)	300/15	/	300/10
IEC 标准 / IEC Standard:			
过压类别 / Overvoltage Category / 污染等	III / 3	III / 2	II / 2
绝缘 / Pollution Degree			
额定电压/电涌 / Rated Voltage(V)/Current(A)	320/20	/	/
额定脉冲电压 / Rate Impulse Voltage(KV)	4.0	/	/
线径范围(硬线和软线) / Wire Range(rigid and flexible)(mm² / AWG)		/	/
间距 / Pitch(mm) / 线距范围 / Poles	5.0 / N=02~24P		
剥线长度 / Stripping length(mm)	6~7		
使用温度范围 / Operating Temperature(°C)	-40~+105		
符合RoHS标准 / Conform to RoHS	Yes		
标准颜色编号 / Standard color number:	PANTONE 428C		
PANTONE / RAL	/		

DEGSON® NINGBO DEGSON ELECTRICAL CO., LTD
宁波高松电子有限公司